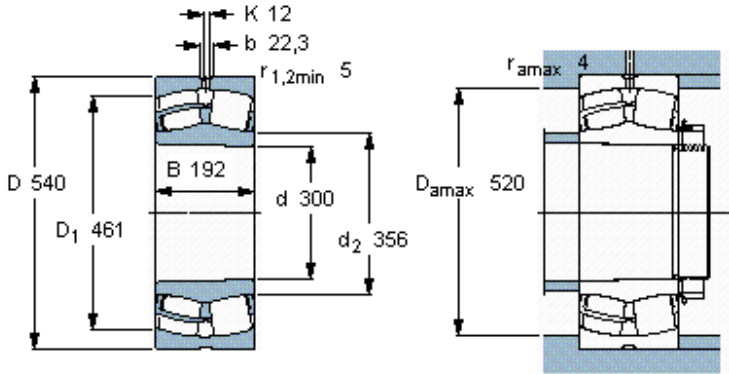


Spherical roller bearings, cylindrical and tapered bore

Principal dimensions			Basic load ratings		Speed ratings	Limiting speed	Designation
d	D	B	dynamic C	static C0	Reference speed		<b>* SKF Explorer bearing</b>
mm			kN		r/min		-
<b>300</b>	540	192	4052	5850	750	1000	23260 CCK/W33 *



Tapered bore, taper  
1: 12

**Calculation factors**

- e 0,35
- $Y_1$  1,9
- $Y_2$  2,9
- $Y_0$  1,8